

## MILK COOLING TANK with ICE WATER COOLING RM/IB

1600 - 7150 l

### Characteristics

- ›Horizontal tank with efficient evaporator made of seamless copper tubes
- ›Constructed of stainless steel 18/10 – AISI 304
- ›Chassis with solid leg construction and adjustable feet (standard 2 % slope)
- ›Flat manhole and swivelling cover with rubber seal
- ›Detachable air vent
- ›2 milk inlet openings, 80 mm (1 in the manhole cover, 1 at the back)
- ›Tank outlet 80 mm, self washing outlet with butterfly valve Ø 80 mm and road tanker connection NW 50 or 65 (other milk road tanker connections on request, e.g. SMS, DS, RJT or IDF)
- ›"Self washing outlet" easy to upgrade (no welding). Increased second hand value.
- ›All models have a stainless steel ladder
- ›Tank conform EN 13732 standard - KEYMARK

### Tank control and display

- ›All electrical tank components 1 ~ 230V – 50Hz (other voltages / frequencies on request)
- ›Milk temperature control with operating unit iControl
- ›Time clock for use of night rate electricity integrated
- ›Deep cooling (1.9 °C)
- ›Two adjustable set points (3.2 °C and 4.5 °C)
- ›Full automatic logging of cooling, agitation, cleaning and possible errors

### Cooling and agitation

- ›All the benefits of cooling with ice water apply
- ›An **integrated ice builder** provides the ice water
- ›Very fast cooling with no risk of freezing even the smallest quantities of milk
- ›A high cooling capacity is guaranteed
- ›The number of agitator motors depends on the volume of the tank (see table tank dimensions)
- ›Instant cooling is possible by installing a tubular or plate heat exchanger between the milking parlour and the tank. It is an important advantage to safeguard the quality of the milk.

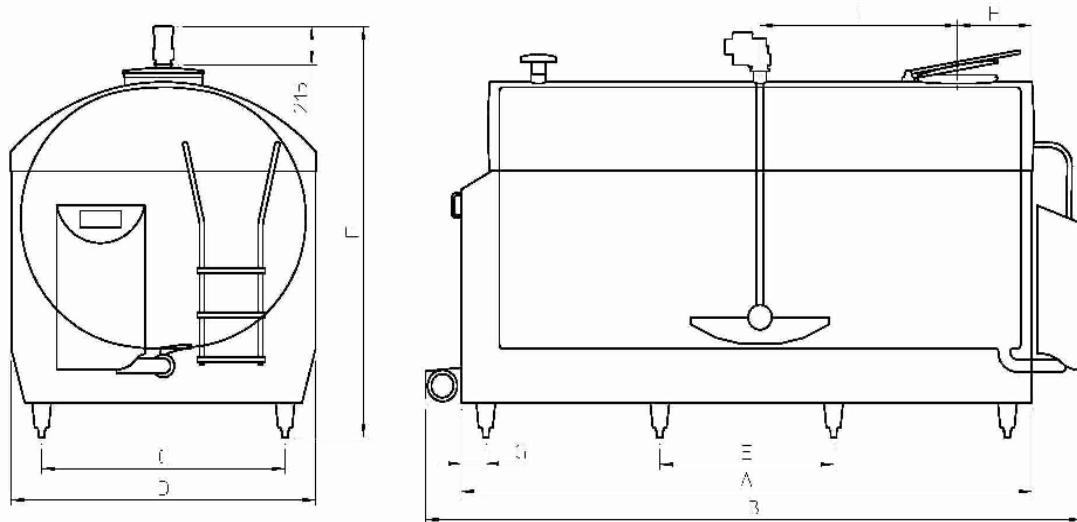


### Cleaning

- ›2 automatic dosage pumps for detergents
- ›Automatic water level control for optimal filling and low water usage
- › High pressure dynamic Packo-ROTOJET system with spray balls in agitator blade(s)
- ›Vertically mounted stainless steel cleaning pump, no risk of freezing
- ›Pump power depends on number of agitators:
  - 1 agitator: 1.1 kW, 1 ~ 230V 50Hz
  - 2 agitators: 1.5 kW, 1 ~ 230V 50Hz

### Available options

- ›Warning messages sent by SMS
- ›Timer for manual cooling and cleaning
- ›Dosing cup(s) for detergents
- ›ECO-WASH short cleaning
- ›Tank adapted to AMS milking
- ›OCULUS tank guard to monitor all tank functions
- ›PACAP digital volume indication with LED display
- ›Extra ice water pump for instant cooling
- ›Bottom filling
- ›Flow meter alkaline detergent



## RM/IB Dimensions

Model	Max. cap. litres	Milkings	A mm	B mm	C mm	D mm	E mm	F mm	G mm	H mm	I mm	Legs number	Weight kg
1600	1678	2	2185	2766	952	1302	1895	1825 - 1945	547	445	572	4	464
2200	2237	2	2818	3399	952	1302	2528	1825 - 1945	547	445	888,5	4	584
2800	2813	2	2009	2590	1440	1800	860	2179 - 2299	604	445	492,5	6	682
3300	3367	2	2350	2931	1440	1800	1030	2179 - 2299	604	450	654,5	6	750
3800	3881	2	2665	3246	1440	1800	1188	2179 - 2299	604	450	812	6	830
4400	4484	2	3035	3616	1440	1800	1373	2179 - 2299	604	450	997	6	980
5000	5039	2	3374	3955	1440	1800	1029	2179 - 2299	604	450	1167	8	1076
6000	6148	2	4000	4581	1440	1800	1237	2173 - 2293	604	450	687,5	8	1240

Model	Max. cap. litres	Milkings	A mm	B mm	C mm	D mm	E mm	F mm	G mm	H mm	I mm	Legs number	Weight kg
1600	1678	4/6	2185	2766	952	1302	1895	1630 - 1750	372	445	572	4	429
2200	2237	4/6	2818	3399	952	1302	1264	1630 - 1750	372	445	888,5	6	525
2800	2813	4/6	2009	2590	1440	1800	860	1996 - 2116	409	445	492,5	6	601
3300	3367	4/6	2349	2930	1440	1800	1030	1996 - 2116	409	450	654,5	6	655
3800	3881	4/6	2665	3246	1440	1800	1188	1996 - 2116	409	450	812	6	730
4400	4484	4/6	3033	3614	1440	1800	1372	1996 - 2116	409	450	997	6	860
5000	5039	4/6	3374	3955	1440	1800	1029	1996 - 2116	409	450	1167	8	940
6000	6148	4/6	3374	3955	1440	1800	1029	2269 - 2389	409	450	687,5	8	1050
7150	7320	4/6	4000	4581	1440	1800	1237	2269 - 2389	409	450	687,5	8	1300

With ECO-WASH: B + 190 mm.  
Available in 2, 4 & 6 Milkings and for AMS milking.

Subject to modifications. The photographs and descriptions provided are intended as a guide and may not always exactly match the items supplied.

RM/IB 1600-5000 2-6 milkings and RM/IB 6000 4 milkings:  
1 agitator incorporating 1 rotojet spray ball.  
RM/IB 6000 2 milkings and RM/IB 7150 4-6 milkings:  
2 agitators incorporating 4 rotojet spray balls.

